



www.stoneagemanufacturing.com 877-371-8861

Product Catalog 2010

Indoor & Outdoor Hearth
Outdoor Kitchen & Room
Hearth & Kitchen Accessories

Table of Contents	Pages
Who We Are, Mission Statement & Operational Goals	3
Packaging & Shipping Information	4
Fireplace Construction Overview	4
Outdoor Hearth & Cooking Products	5 - 10
Stone Age Fireplaces—Standard & See-Thru Models	5
Stone Age Fireplaces—Contractor Series	6
New Age Outdoor Fireplace	6
Stoned Fire Series—Assembled, With or Without Stone Finish, Unassembled Kits	7
Veranda Fireplace	7
Fireplace Chimney Sections	8
Fireplace Opening Height Extensions	8
Portable Fireplace & Oven Footings	8
Brick Ovens & Pizza Ovens	9
Fire Pits	10
Indoor Hearth Products	11 - 13
New Age Indoor Fireplaces	11
New Age Vent-Free Fireplaces	12
New Age 5-Piece Indoor Firebox	12
Indoor Fireplace Chimney & Chimney Accessories	13
Fireplace Accessories	14 - 17
Chimney Dampers	14
Chimney Caps	14
Fireplace & Fire Pit Grates, Ash Cleanouts & Air Kits	15
Fire Pit Burners & Accessories, Pizza Oven Burner Kits	16
Oven Doors, Pizza & Fire Management Tools	17
Mortar & Firebrick	17
Bad Ash Fireplace Cleaner	17
Cabinet Component System	18 - 21
Cabinet Component System Construction Overview	18
STR Series & L Series	19
F Series & FF Series	20
U Series	21
Backsplash Kits	21
Pergolas & Stone Age Smoker	22
Warranty	23

Who We Are

Stone Age Manufacturing, Inc. is a family-owned and operated business, whose background is in masonry and fireplace construction. Our original product, the Stone Age fireplace, arose from needs in the marketplace identified through our own experiences in the field with our affiliated business, Rider Stone Company, a natural stone supply and masonry installation company specializing in custom designs and projects, which has been operated by our family for three generations. Stone Age products have been well received throughout the construction and hardscape industries and we have enjoyed significant growth each year since our incorporation.

Recognition of the challenges typically faced in real-world installations continues to drive our product development, as all Stone Age products are designed to offer a faster, more efficient and more durable way to construct popular hearth and outdoor room products, while delivering greater consistency and higher quality than comparable products or traditional construction techniques.

Stone Age Manufacturing takes pride in our heritage as a family-owned business, and is committed to using our extensive knowledge and masonry expertise to produce the finest quality products available, while delivering exceptional value at a reasonable cost, and providing outstanding personal service to each of our customers.

Stone Age Manufacturing is located in the Tulsa, Oklahoma metropolitan area, and is proud to manufacture our products in the United States of America, using materials produced in the U.S.A.

What We Do

Stone Age Manufacturing, Inc. produces pre-engineered masonry fireplace kits for indoor and outdoor applications, as well as fire pits, brick and pizza ovens, and kitchen island systems, all in kit forms designed for ease of assembly by experienced masons or novice installers, while providing strength, durability and outstanding performance in all climates and conditions.

Each Stone Age product is designed for compatibility with our other components, allowing endless flexibility in project design and easy customization to meet the unique requirements of any installation, regardless of architectural or design style. Stone Age also offers a full line of accessories, carefully chosen to enhance the performance and enjoyment of our products.

Stone Age Manufacturing, Inc. offers a group of products that increase productivity and profits, prevent quality issues and installation difficulties, and enhance the professional reputation of the contractor or installer. Stone Age products offer the consumer a complete outdoor lifestyle system uniquely adaptable to their specific needs, designed to deliver outstanding performance and years of relaxation and enjoyment.

Mission Statement

Stone Age Manufacturing, Inc. strives to create products which offer a faster, more efficient and more durable way to construct popular hearth and outdoor room products, while delivering greater consistency, higher quality, and greater value than competing products or traditional construction techniques. Stone Age also strives to provide outstanding customer service, treating our customers as we would want to be treated ourselves.

Operational Goals

- To be the leader in development and production of masonry indoor and outdoor living products.
- To design products that assemble quickly and easily, offering labor savings and increased profit margins to the installer and cost savings to the consumer.
- To design products which perform well under a broad spectrum of operating conditions and unique installation configurations.
- To produce the highest quality products available at a competitive price, without sacrificing product integrity.
- To build and maintain product inventory levels that allow quick and convenient delivery on all orders.
- To constantly improve the quality and production processes of our existing product line.
- To produce a variety of products and options that offer the greatest value possible to a wide range of potential customers.
- To continually build a brand name that customers recognize, associate with quality, and seek out.
- To deliver outstanding customer service to all customers at all times.
- To earn the reputation of a company that all of our customers would prefer to do business with, and would refer to their friends and associates.
- To offer a wealth of marketing and educational materials to our dealers, distributors, and contractors, to increase knowledge and understanding of the quality and value of Stone Age products, assisting in the sale of our products and the sale of projects using our products.

Packaging and Shipping Information

Stone Age Fireplaces, Fire Pits and Cabinet Component System kits smaller than 15', ship on a single pallet per unit.

Larger Cabinet Component Systems kits ship on 2 or 3 pallets, depending upon size.

Smaller accessories generally will be shipped in corrugated paper boxes, depending upon the item.



Fireplace Construction Overview

Installation of the Stone Age fireplace is very simple. Project and site preparation should include pouring a reinforced concrete footing for the unit, per the instructions included with the fireplace kit. Depth of the pad and specific reinforcement requirements, such as piercing, should be determined based on size of the unit, type of finish material to be applied, local soil stability, climate and building customs.

Step 1 - Assemble riser Legs



Step 2 - Install baseplate



Step 3 - Add 1st sidewalls



Step 4 - Add 2nd level of walls



Step 5 - Install backplate



Step 6 - Add tapered wall pieces



Step 7 - Add upper backplate



Step 8 - Install floor firebrick



Step 9 - Add firebrick to walls



Step 10 - Install lintel



Step 11 - Install rear throat piece



Step 12 - Add front throat piece



Step 13 - Add chimney



Step 14 - Complete chimney & add hearth



Once the kit is assembled, finish application may begin. Any masonry-compatible finish, such as stucco, tile, brick, man-made stone, pavers or natural stone, may be used with Stone Age all products, and may be applied directly to the outside of the units. Customization is very simple, as standard concrete block may be directly applied around any unit to create a different shape or profile, before application of the finish material.

Stone Age Fireplaces

The Stone Age fireplace was born of a desire to simplify fireplace construction for masons and consumers, while delivering consistently outstanding quality and performance in outdoor applications.

Superior design and materials are the hallmark of Stone Age products, and this dedication to quality begins with our fireplace kits.

Temperature resistant, refractory concrete materials, with solid wall construction and steel reinforcement provide excellent protection from heat and thermal cycling, giving you a product you can be confident in for years to come.

Our elegantly simple designs draft well in outdoor conditions, with minimal smoke spillage into the viewing area of the fireplace, allowing consumers to enjoy their fireplaces at times when owners of lesser fireplaces might be forced indoors.

All units are tested to meet or exceed UL-127 and UL-103, and may be used in outdoor or indoor installations if desired.



SA48

Stone Age Fireplaces—Standard Models

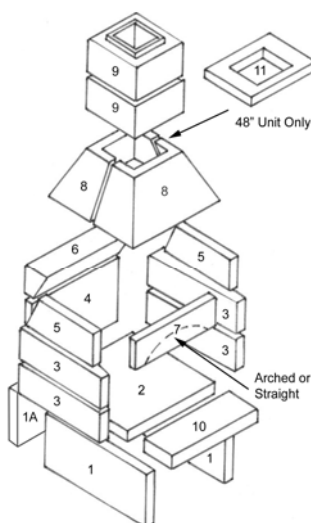
Stone Age fireplaces are complete kits with everything needed to construct the fireplace included except standard type-s mortar and finishing materials. Chimney sections, firebrick, high-temp mortar additive, hearth and support legs are all part of the package, to simplify your preparation and installation. Arched lintels are standard, with straight lintels as a no charge option.

Available with 24", 36" or 48" firebox opening width. Firebox opening height is 28" arched lintel or 22" straight.

Item No	Model	Weight
SA24	24" with Arched Lintel	2200
SA24-STR	24" with Straight Lintel	2200
SA36	36" with Arched Lintel	2800
SA36-STR	36" with Straight Lintel	2800
SA48	48" with Arched Lintel	3100
SA48-STR	48" with Straight Lintel	3100

Refer to Page 1, Section 1 of Price List

SA36 with SA36PF

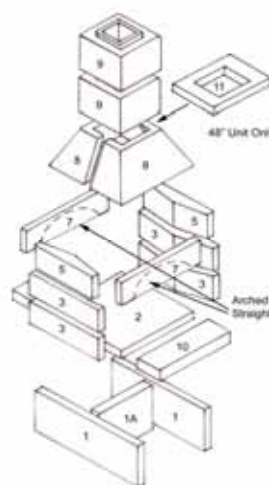


Stone Age Fireplaces—See-Thru Models

See-Thru Models are available in each of our standard kit sizes, with firebox openings identical to the single-sided units. See-Thru fireplaces include all the features of the standard models, and are also available with arched (standard) or straight lintels.

Item No	Model	Weight
SA24-ST	24" with Arched Lintel	2200
SA24-STSTR	24" with Straight Lintel	2200
SA36-ST	36" with Arched Lintel	2800
SA36-STSTR	36" with Straight Lintel	2800
SA48-ST	48" with Arched Lintel	3100
SA48-STSTR	48" with Straight Lintel	3100

Refer to Page 1, Section 1 of Price List



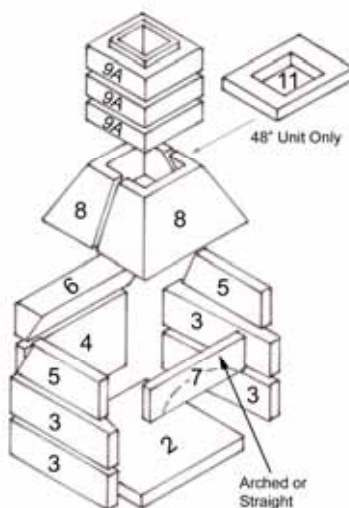
SA36-ST

Stone Age Contractor Series Fireplaces

The Contractor Series offers Stone Age design and materials with an emphasis on value. The Standard kit is distilled down to its essential components of fireplace and chimney, and additional items are left optional, to give you a fireplace comparable to competing models with Stone Age quality and innovation.

Available with 24", 36" or 48" firebox opening width. Firebox opening height is 28" arched lintel or 22" straight.

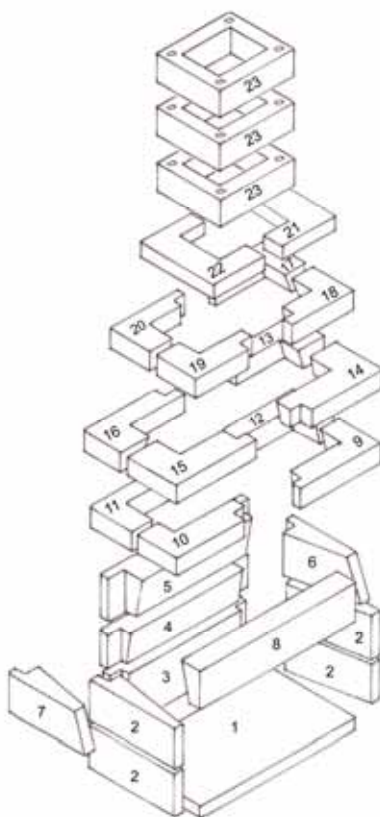
Item No	Model	Weight
SA-24CN	24" with Arched Lintel	1540
SA-24CN-STR	24" with Straight Lintel	1540
SA-24CN-ST	24" with See-Thru Opening	1540
SA-36CN	36" with Arched Lintel	1760
SA-36CN-STR	36" with Straight Lintel	1760
SA-36CN-ST	36" with See-Thru Opening	1760
SA-48CN	48" with Arched Lintel	2120
SA-48CN-STR	48" with Straight Lintel	2120
SA-48CN-ST	48" with See-Thru Opening	2120



Refer to Page 1, Section 2 of Price List

Recommended Accessories:
firebrick splits, high-temperature mortar additive.

SA45



New Age Outdoor Fireplace

The New Age Outdoor fireplace provides Stone Age performance in a unique, block-friendly configuration. New Age models are tested as zero-clearance fireplaces, allowing framing directly to the units, if desired, and may be used with our concrete chimney flue sections or with UL-103 metal flue systems. Kits include three 8" tall unlined chimney sections for outdoor use, firebrick, and high-temperature mortar additive.

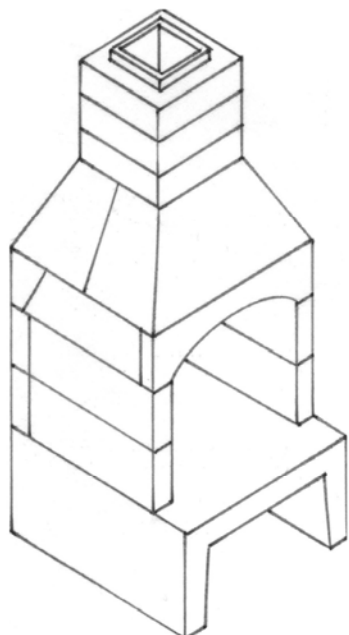
Available with 45" firebox opening width. Firebox opening height is 27", straight lintel only.

Item No	Model	Weight
SA45	New Age Outdoor	3220

Refer to Page 1, Section 1 of Price List

Recommended Accessories:
Additional chimney flue, flue tile for zero-clearance applications, chimney cap, log grate.

Stoned Fire Assembled Fireplaces



Stoned Fire fireplaces feature a one-piece base and riser, and are available as completely assembled units with thin-cut natural stone finishes, which are ready to set in place, using a forklift or similar equipment. Stoned Fire models are also offered assembled without finish, or in unassembled kit form.

Available with 24" firebox opening width. Firebox opening height is 28" arched lintel or 22" straight.

Natural stone finish offered in dry stack (DS) joint finish technique.

Item No	Model	Weight
SA-24SF-WV	24", Assembled with veneer	3500
SA-24SF-WOV	24", Assembled w/o veneer	2300
SA-24-UA	24", Unassembled kit	2200

Refer to Page 1, Section 3 of Price List

Recommended Accessories:
Chimney cap, log grate.



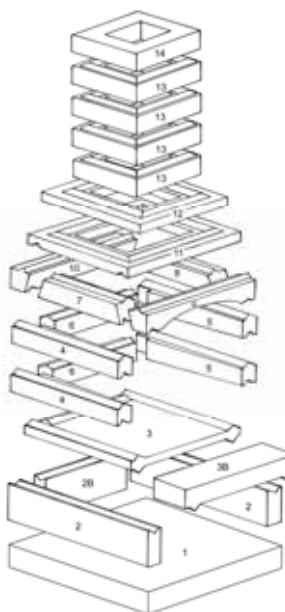
Veranda Fireplaces

Designed with smaller settings in mind, Veranda fireplaces give the consumer a true wood-burning fireplace in a smaller package. Its unique tongue and groove pieces allow easy assembly by a mason or the consumer, without traditional mortar. Compatible with all masonry finishes and available fully assembled and finished in natural stone veneer.

Available with 18" firebox opening width. Firebox opening height is 15 1/2" arched lintel or 12 1/2" straight.

Item No	Model	Weight
SA-VER-RAW	Unfinished	1000
SA-VER-VEN	Veneer	1750

Refer to Page 1, Section 4 of Price List



Recommended Accessories:
Landscape block adhesive, heat-resistant mortar for caulk gun application, chimney cap, log grate.

Fireplace Chimney Sections



For Zero-Clearance Applications

Stone Age Chimney Sections are available in 6 or 12-inch tall increments, to allow any finished chimney height needed.

New Age Chimney sections are available in 8-inch tall sections only, and may be used with a traditional clay flue liner for applications where zero-clearance to combustibles is needed, or without a liner when zero-clearance is not required.

Item No	Model	Weight
SAFL1313	12"t Small width for 24" kits	200
SAFL1313-6	6"t Small width for 24" kits	100
SAFL1717	12"t Large width for 36" - 48" kits	200
SAFL1717-6	6"t Large for 36" - 48" kits	100
SA2226-8	8"t New Age 45" Outer Section	120
SAFL1317	12"t New Age Clay Inner Liner	63
SAFLVER	6"t for Veranda kits	41
SAFLAPO	12"t for Amerigo™ Pizza Oven	46

Refer to Page 2, Section 7 of Price List

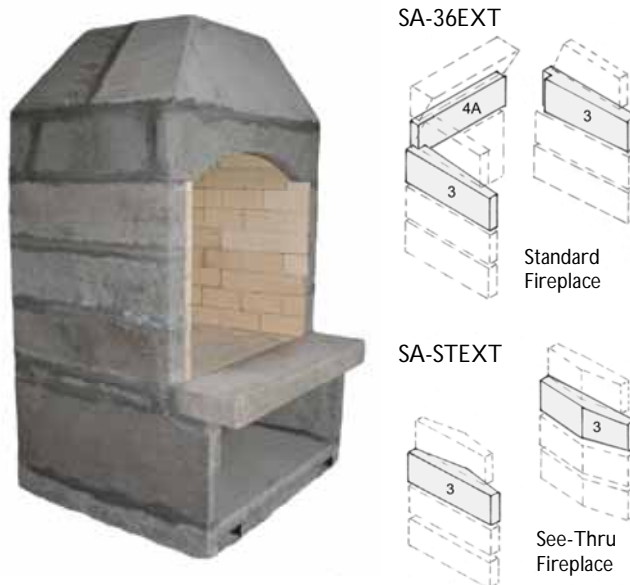
Fireplace Opening Height Extensions

Stone Age Extension kits create a taller fireplace opening, for a larger viewing area.

Available for 36" and 48" Stone Age models, in Standard or See-Thru, and for the 45" New Age Fireplace. Each Extension kit adds 11 1/2" to the Standard and See-Thru models and 14" to the New Age model.

Item No	Model	Weight
SA-36EXT	36" Standard Fireplace	175
SA-48EXT	48" Standard Fireplace	200
SA-STEXT	See-Thru Fireplace - All Sizes	100
SA-45EXT	45" New-Age Fireplace	250

Refer to Page 2, Section 8 of Price List



Portable Fireplace & Oven Footings



Stone Age Portable Footings are designed for use with tradeshow installations, demos, or other applications where movement of the fireplace or oven is required after assembly. Steel reinforced, with forklift rails molded into unit.

Item No	Model	Weight
SA24PF	Standard 24" Fireplace Footing	320
SA24PF-ST	See-Thru 24" Fireplace Footing	420
SA36PF	Standard 36" Fireplace Footing	540
SA36PF-ST	See-Thru 36" Fireplace Footing	640
SA48PF	Standard 48" Fireplace Footing	640
SA48PF-ST	See-Thru 48" Fireplace Footing	750
SA45PF	Standard 45" Fireplace Footing	600
SA-PO-48PF	Amerigo™ Pizza Oven Footing	580

Refer to Page 2, Section 9 of Price List

Stone Age Brick Oven



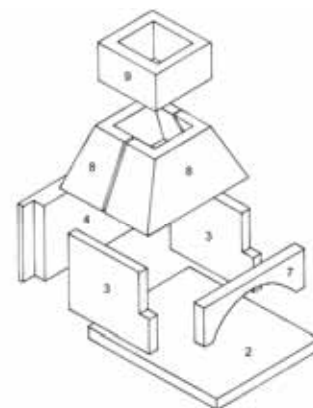
Stone Age Brick Ovens are the perfect complement to our other outdoor kitchen components, and allow the outdoor chef unlimited cooking flexibility while incorporating the taste of real wood.

Optional glass doors, top-mount dampers, and cooking grates are available, for more precise temperature control and greater cooking flexibility.

Available with 25" firebox opening width, 26" depth. Firebox opening height is 21", with arched lintel.

Item No	Model	Weight
SA-BO	Stone Age Brick Oven	1600

Refer to Page 1, Section 5 of Price List



Recommended Accessories: Glass doors, top-mount damper, cooking grates, Hoeloe fire tool.

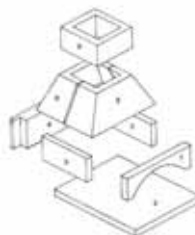
Vecchio™ Pizza Oven

The Vecchio™ Pizza Oven offers the fun and flavor of traditionally-cooked pizza, in a smaller, easy-to-manage footprint that integrates perfectly with our Cabinet Component System. Add the optional top-mount damper for more precise temperature control and greater cooking flexibility.

Available with 25" firebox opening width, 28" depth. Firebox opening height is 9", with arched lintel.

Item No	Model	Weight
SA-PO	Vecchio Pizza Oven	1100

Refer to Page 1, Section 5 of Price List



Recommended Accessories: Top-mount damper, Pizza cooking tools, Hoeloe fire tool.

Amerigo™ Pizza Oven

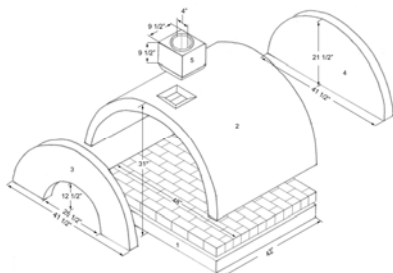


The Amerigo™ Pizza Oven has everything you need for old world pizza cooking and more. Featuring an arched cooking chamber and over 1500 square inches of cooking surface, the Amerigo™ complements any outdoor kitchen. Kits include firebrick, 9" chimney flue and metal oven door.

Using the same technology as our Cabinet Component System™, the Amerigo™ Pizza Cabinet creates a solid base for the oven, and is offered with an arched or square opening, or without opening, for custom configurations.

Item No	Model	Weight
SA-PO-48	Amerigo™ Pizza Oven	1650
SA-PCA-48	Cabinet, Arched	1120
SA-PCS-48	Cabinet, Square	1120
SA-PCN-48	Cabinet, No Opening	1120

Refer to Page 1, Section 5 of Price List



Recommended Accessories: Wood-clad door and cabinet doors, pizza cooking tools, Hoeloe fire tool.

Stone Age Fire Pits

Stone Age offers a wide selection of fire pits for any setting. Simple, three to five piece construction greatly speeds up installations. All models have been upgraded, now featuring extended baseplates with molded feet, allowing movement after assembly or creating clearance and airflow under the unit, as required for installations on wooden structures. Three round configurations are available, plus a square model, and optional extension kits to create a rectangular fire pit.

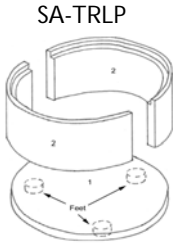
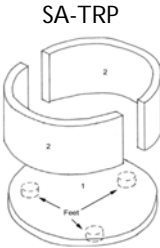
Refer to Page 1, Section 6 of Price List for All Fire Pit Models

Item No	Model	Dimensions	Weight
SA-LRP	Large Round	48" w x 18" t, 42" I.D. 20 1/2" t with feet	700



SA-LRP

Item No	Model	Dimensions	Weight
SA-TRP	Tall Round	42" w x 25" t, 36" I.D. 27 1/2" t with feet	620
SA-TRLP	Tall Round w/ Lip	42" w x 25" t, 36" I.D. (for use with optional Stainless Steel Fire Pit Pan)	620



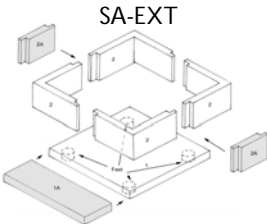
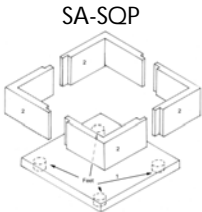
SA-TRP

Item No	Model	Dimensions	Weight
SA-SRP	Short Round	42" w x 14" t, 36" I.D. 16 1/2" t with feet	480



SA-SRP

Item No	Model	Dimensions	Weight
SA-SQP	Large Round	42" w x 42" w x 15" t, 36" I.D. 17 1/2" t with feet	650



SA-SQP

Recommended Accessories:
 Fire pit grate sets, top-mount expanded metal cooking grates, top-mount slotted cooking/decorative grates.

New Age Indoor Fireplaces

New Age Indoor fireplaces provide Stone Age performance, quality and durability in a form factor optimized for indoor applications.

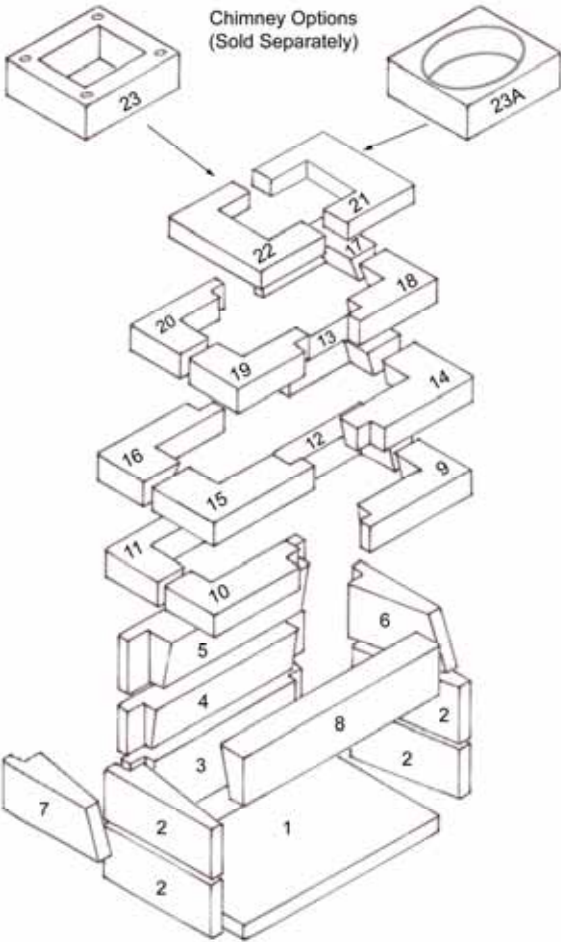
New Age models are tested to UL-127 and UL-103, and are certified as zero-clearance fireplaces, allowing framing directly to the units, if desired, and may be used with our concrete chimney flue sections or with UL-103 metal flue systems.

Available with 36", 42" and 48" firebox opening width.
Firebox opening height is 27", straight lintel only.

Item No	Model	Weight
NA36IND	36" New Age Indoor	2575
NA42IND	42" New Age Indoor	2900
NA48IND	48" New Age Indoor	3250

Refer to Page 2, Section 10 of Price List

NA42IND



Recommended Accessories:
Full firebrick, high-temperature mortar additive, concrete chimney flue or metal chimney adapter and flue.

New Age Vent-Free Fireplaces

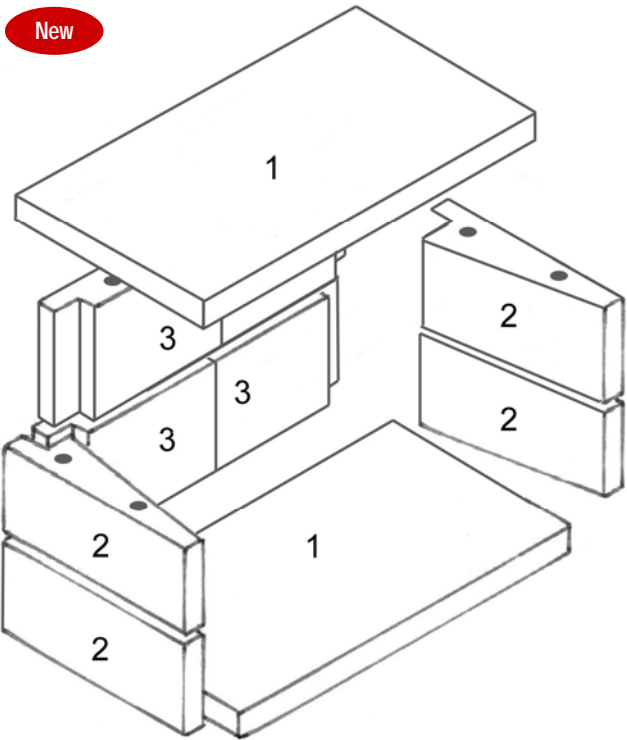
New Age Vent-Free fireplaces give you Stone Age quality in a true masonry fireplace option for vent-free applications.

New Age Vent-Free models are tested to ANSI Z21.91 and are certified as zero-clearance fireplaces, allowing framing directly to the units.

Available with 36" or 42" firebox opening width. Firebox opening height is 28".

Item No	Model	Weight
NA36VF	36" New Age Vent-Free	1500
NA42VF	42" New Age Vent-Free	1725

Refer to Page 2, Section 11 of Price List



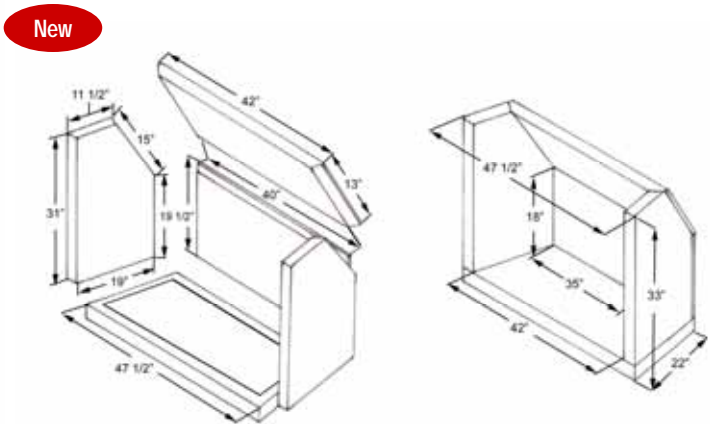
New Age 5 - Piece Indoor Fireboxes

New Age 5-piece fireboxes allow the experienced mason to greatly speed up the process of scratch-building a fireplace, by removing one of the most labor-intensive steps, creation of the firebox from firebrick. Using our high-temperature refractory concrete, with an integral buff color, the 5-piece firebox can be assembled in minutes. 2 1/2" thick walls provide plenty of insulation, and isolate the heat of the fire from the cinderblock behind it.

Available with 36" or 42" firebox opening width.

Item No	Model	Weight
NA36-5FB	36" New Age 5-Piece Firebox	400
NA42-5FB	42" New Age 5-Piece Firebox	460

Refer to Page 2, Section 12 of Price List



Indoor Fireplace Chimney & Chimney Accessories

New Age Indoor models are designed to use masonry or UL-103 rated metal chimney flue, and Stone Age has a wide range of chimney components to simplify installation of even the most unique fireplace projects. Clay flue tiles form the heart of the chimney system, with our refractory concrete outer chimney blocks providing the necessary insulation to create a zero-clearance chimney system. A brick ledge is available, to allow masonry finish application to the chimney, without using expensive finish materials in areas where they would not be visible. Offset blocks allow the mason to construct an angled masonry chimney when required for custom applications. For installations where a metal chimney system is preferable, Stone Age offers a masonry-to-metal flue adapter (also called an anchor plate) for use with UL-103 rated metal chimney components.

Refer to Page 2, Section 14 of Price List

Clay Flue Tile

Item No	Model	Weight
SAFL1317	12"t, 13" x 17"w Clay Tile Section	63

SAFL1317



Chimney Blocks

Item No	Model	Weight
SA2226-8	8"t, 22" x 26"w Chimney Blocks	120

SA2226-8



Brick Ledge

Item No	Model	Weight
SA-BLEDGE	36" x 32"w Ledge	160

SA-BLEDGE



Offset Chimney Blocks

Item No	Model	Weight
SA-OSB	4"t Chimney Blocks, allow 2" of offset per block	76

SA-OSB



UL-103 Metal Chimney Flue

Item No	Model	Weight
SA-16PPG	16"w x 36"t Galvanized, Double-wall Chimney Flue	43
SA-16PPSS	16"w x 36"t Stainless Steel, Double-wall Chimney Flue	46

SA-16PPSS



Metal Chimney Flue Adapter (Anchor Plate)

Item No	Model	Weight
SA-16PA	16"w Metal Flue Adapter	70

SA-16PA



Chimney Dampers

Stone Age offers two styles of chimney dampers, top-mount models, for use with indoor fireplaces, outdoor fireplaces, Vecchio™ Pizza ovens or brick ovens, or throat-mount models, for use with the New Age indoor fireplace only.

Item No	Model	Weight
SA-CF12113	Top-Mount Damper, 13" x 13", 24" Fireplaces & Ovens	7
SA-CF12117	Top-Mount Damper, 17" x 17", 36" & 48" Fireplaces	15
SA-CF12118	Top-Mount Damper, 13" x 17", all New Age Models	10
SA-V936	Throat-Mount Damper, Cast Iron, 36" New Age Indoor	60
SA-V942	Throat-Mount Damper, Cast Iron, 42" New Age Indoor	70
SA-V948	Throat-Mount Damper, Cast Iron, 48" New Age Indoor	80

SA-CF12113



SA-V942



Refer to Page 2, Section 15 of Price List

Chimney Caps

A variety of chimney caps are available for our fireplaces, brick ovens and Vecchio™ pizza ovens. Standard, flat-top chimney caps with mesh screening are available in black galvanized steel, stainless steel, or copper. Two styles of decorative copper chimney caps are available for use with all fireplaces models except the Veranda™.

SA-CBO1313



Standard Chimney Caps

Item No	Model	Weight
SA-BBT1010	Black Galvanized, Veranda™ Fireplaces	9
SA-CBO1313	Black Galvanized, 24" Fireplaces & Ovens	10
SA-CBO1318	Black Galvanized, New Age Fireplaces	12
SA-CBO1818	Black Galvanized, 36" & 48" Fireplaces	15
SA-BT1010	Stainless Steel, Veranda™ Fireplaces	9
SA-SS1313U	Stainless Steel, 24" Fireplaces & Ovens	10
SA-SS1318U	Stainless Steel, New Age Fireplaces	11
SA-SS1818U	Stainless Steel, 36" & 48" Fireplaces	13
SA-CBT1010	Copper, Veranda™ Fireplaces	9
SA-CP1313	Copper, 24" Fireplaces & Ovens	10
SA-CP1318	Copper, New Age Fireplaces	12
SA-CP1818	Copper, 36" & 48" Fireplaces	15

SA-SS1313U



SA-CP1313



Decorative Copper Chimney Caps

Item No	Model	Weight
SA-FTCC	Copper, Finial Shape, 42" tall	30
SA-FCCC	Copper, French Curve Shape, 38" tall	30

Finial and French Curve Decorative caps Fit Vecchio™ pizza ovens, brick ovens, and all fireplaces except the Veranda™.

SA-FTCC



SA-FCCC



Refer to Page 3, Section 17 of Price List

Fireplace Grates

Item No	Model	Weight
SA-D8818S4	18" w x 12" d Steel Log Grate, 24" Fireplaces	20
SA-D8927-6	27" w x 15" d Steel Log Grate, 36" Fireplaces	30
SA-D8933-8	33" w x 15" d Steel Log Grate, 48" Fireplaces	50
SA-HY15	15 1/4" w x 9" d Steel Log Grate, Veranda™ Fireplaces	12
SA-24CG	20" w x 18" d x 15" t Cooking Grate, 24" Fireplaces	10
SA-36CG	32" w x 18" d x 15" t Cooking Grate, 36" Fireplaces	15
SA-48CG	44" w x 18" d x 15" t Cooking Grate, 48" Fireplaces	20
SA-CC18	18" Cooking Crane for Fireplaces & Brick Ovens	6



Note: Cooking grates are used in addition to log grates, and should be placed directly above the log grate.

Refer to Page 3, Section 18 of Price List

Fireplace Clean Out Accessories and Air Kit

Item No	Model	Weight
SA-AD	Fireplace Ash Dump Door - Universal	2
SA-COD	Fireplace Clean Out Door - Universal	3
SA-OAK	Fireplace Outside Air Kit - Universal	16

New



Refer to Page 2, Section 15 of Price List

Fire Pit Log Grates & Cooking Grates

Item No	Model	Weight
SA-FRG24	24" Round Fire Pit Log Grate	13
SA-FRG30	30" Round Fire Pit Log Grate	23
SA-DXFR24	24" Deluxe Fire Pit Log Grate	18
SA-DXCG28	28" Deluxe Fire Pit Cooking Grate	28

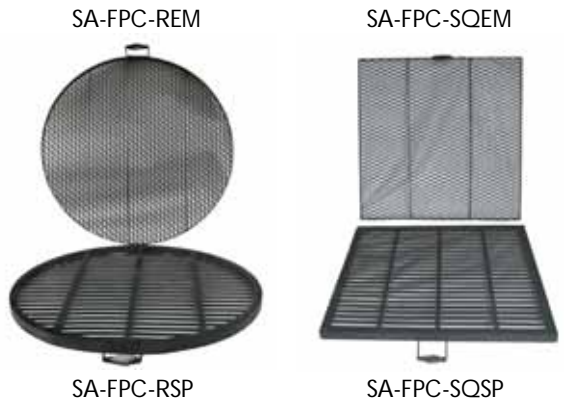


New

Refer to Page 4, Section 24 of Price List

Fire Pit Top Mount Decorative & Cooking Grates

Item No	Model	Weight
SA-FPC-SQEM	Square Top-Mount Cooking Grate	40
SA-FPC-SQSP	Square Decorative Slotted Grate	40
SA-FPC-REM	Round Top-Mount Cooking Grate	40
SA-FPC-RSP	Round Decorative Slotted Grate	40



Refer to Page 4, Section 24 of Price List

Fire Pit Burners (Fire Rings) & Fire Pit Pan

Fire pit burners, also called fire rings, are offered in standard carbon steel or stainless steel. Fire pans are available to further simplify installation of fire pit burner systems, and are designed for use with our Tall Round fire pit with recessed lip.

Item No	Model	Weight
SA-FR12	12" Carbon Steel Ring Burner	2
SA-FR24	24" Carbon Steel Ring Burner	4
SA-FR30	30" Carbon Steel Ring Burner	9
SA-FRS30	30" Stainless Steel Ring Burner	9
SA-FRS2421	24" x 21" Stainless Steel, Rectangle	5
SA-HPSSFP	37" Stainless Steel Fire Pit Pan, for Tall Round Fire Pit	20



Refer to Page 3, Section 22 of Price List

Fire Pit Burner Kits

Fire pit burner kits are the most popular gas option, as these include the burner system, gas valve, key and necessary hardware. Fire pit burner kits are available in carbon or stainless steel, and propane conversion kits are also available.

Item No	Model	Weight
SA-FP24KIT	24" Carbon Steel Ring Burner Kit, Natural Gas	9
SA-FP30KIT	30" Carbon Steel Ring Burner Kit, Natural Gas	12
SA-FPS30KIT	30" Stainless Steel Ring Burner Kit, Natural Gas	12
SA-FPSR2421KIT	24" x 21" Stainless Steel, rectangle kit, Natural Gas	8
SA-CPKIT	Propane Conversion Kit for Natural Gas Burner Systems	2



Refer to Page 3, Section 23 of Price List

Pizza Oven Burner Kit

Stone Age offers a stainless steel gas burner kit for the Amerigo™ pizza oven, providing the convenience of a match-lit natural gas system for outdoor cooking. Kit includes key valve and hardware.

Item No	Model	Weight
SA-AMUB	Stainless Steel U-Burner Kit, Natural Gas	10



Refer to Page 3, Section 23 of Price List

Fire Pit Covers

Fire pit covers help prevent moisture accumulation inside the unit, and also give a clean, finished look. Our two-piece, 1/8" carbon steel covers have four welded metal handles, for easy placement and removal, and have a high-temperature black finish.

Item No	Model	Weight
SA-FPC-R	2-Piece, Black Steel, Standard Round Pits	52
SA-FPC-LR	2-Piece, Black Steel, Large Round Pits	64
SA-FPC-SQ	2-Piece, Black Steel, Square Pits	75



Refer to Page 4, Section 24 of Price List

Brick Oven Doors

Item No	Model	Weight
SA-ASDBO	Single Glass Door for Brick Oven	30
SA-ADDBO	Double Glass Door for Brick Oven	30



Refer to Page 3, Section 19 of Price List

Amerigo Pizza Oven & Cabinet Doors

Item No	Model	Weight
SA-PODA-ML	1/8" Steel Door, Standard	18
SA-PODA-CR	Wood-Clad Steel Oven Door, Cedar Stain	20
SA-PODA-NT	Wood-Clad Steel Oven Door, Natural	20
SA-PODA-UN	Wood-Clad Steel Oven Door, Unfinished	20
SA-PCDA-CR	Wood Cabinet Door, Arched, Cedar Stain	18
SA-PCDA-NT	Wood Cabinet Door, Arched, Natural	18
SA-PCDA-UN	Wood Cabinet Door, Arched, Unfinished	18
SA-PCDS-CR	Wood Cabinet Door, Square, Cedar Stain	18
SA-PCDS-NT	Wood Cabinet Door, Square, Natural	18
SA-PCDS-UN	Wood Cabinet Door, Square, Unfinished	18



Refer to Page 3, Sections 19 & 20 of Price List

Pizza & Fire Management Tools

Pizza Tools

Item No	Model	Weight
SA-SSPG	Pizza Pan Gripper Tool	1
SA-10APP	10" Aluminum Pizza Pan	1
SA-14APP	14" Aluminum Pizza Pan	1
SA-BP	43" Aluminum Bubble Popper	2
SA-POB	42" Wooden-Handle Ash Brush	2
SA-SSPD	48" Stainless Steel Turning Paddle	4
SA-42WPP	42" x 20" Wooden Pizza Peel	4
SA-52APP	52" Aluminum & Wood Pizza Peel	2

Fire Management Tools

SA-HJJR	30" Hoeloe JR Fire Management Tool	3
SA-HJ	63" Hoeloe Fire Management Tool	4



Refer to Page 3, Section 21 of Price List

Mortar & Firebrick

Item No	Model	Weight
SA-HTM	High Temperature Powder Mortar Additive	10
SA-HTMC	High Temperature mortar, caulk format for Veranda™	1
SA-STX1	Sonolastic® adhesive, for Veranda™ & Cabinet Component System	1
SA-VSA10	High Adhesion admixture for Veneer Stone	2oz
SA-HITM	High Temperature Fire Clay (Indoor fireplace use only)	15
SA-S1001	Firebrick - Splits, 9" x 4 1/2" x 1 1/4"	4
SA-S1006	Firebrick - Full Size, 9" x 4 1/2" x 2 1/2"	8



Refer to Page 2, Sections 13 & 16 of Price List

Bad Ash Fireplace Cleaner

The Bad Ash Fireplace Cleaner attaches to standard vacuum cleaners (not included), allowing fireplace ash to be cleaned without damage to the vacuum, and conveniently stored in the canister for easy disposal. Use with cold ash only.

Item No	Model	Weight
SA-BASH	Bad Ash Vacuum Attachment	6

Refer to Page 2, Section 16 of Price List



Cabinet Component System Construction Overview

The Cabinet Component System creates an infinitely configurable kitchen islands, featuring our patent-pending, steel and glass fiber reinforced concrete panels and bracket system. Outdoor kitchen Island installations are greatly simplified, giving faster build times and lower labor cost, while delivering strength and durability far superior to any other system available. Kits may be combined or modified to create custom designs or fit a unique application. Basic assembly takes minutes and appliance openings may be cut immediately after the panels are set, using standard masonry saw blades. Finishing may begin once cutting has been completed, and appliance installation may start as soon as the finish materials have dried.

For best results, Stone Age recommends using our Sonolastic® adhesive for all Cabinet Component System installations.



Step 1 - Place lower bracket and raise first panel.



Step 2 - raise next panel, running a bead of Sonolastic® adhesive at joints.



Step 3 - Place upper bracket at joints. Upper brackets give strength and rigidity while keeping walls correctly spaced.



Step 4 - Continue raising side panels, using Sonolastic® adhesive and brackets.



Step 5 - Place end panel and final end bracket.



Step 6 - Place top panels and backsplash kits, if applicable. Shown with bar top backsplash.



**Estimated Time for Construction Steps 1 - 6 as Shown:
20 Minutes for Experienced Installer.**

Step 7 - Mark and cut appliance openings to specifications of appliance manufacturer, using construction marker and standard masonry saw blades.



Time required to mark and cut appliance openings will vary, depending upon the number of appliances and their layout in the island.

Similarly, time to finish will vary depending upon the type of finish to be applied.

Finished installation of unit shown at left.



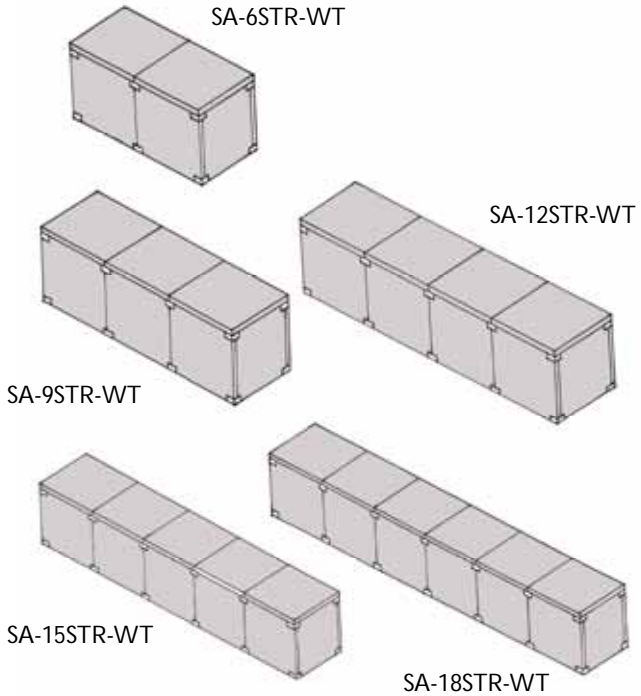
STR Series



The STR Series straight islands are available in lengths of 6, 9, 12, 15 and 18, and like all Cabinet Component System islands, may be expanded by combining multiple kits.

Item No	Model	Weight
SA6STR-WT	6' Straight Island with Top	1120
SA6STR-WOT	6' Straight Island without Top	870
SA9STR-WT	9' Straight Island with Top	1500
SA9STR-WOT	9' Straight Island without Top	1125
SA12STR-WT	12' Straight Island with Top	1980
SA12STR-WOT	12' Straight Island without Top	1480
SA15STR-WT	15' Straight Island with Top	2475
SA15STR-WOT	15' Straight Island without Top	1850
SA18STR-WT	18' Straight Island with Top	2970
SA18STR-WOT	18' Straight Island without Top	2220

Refer to Page 4, Section 25 of Price List

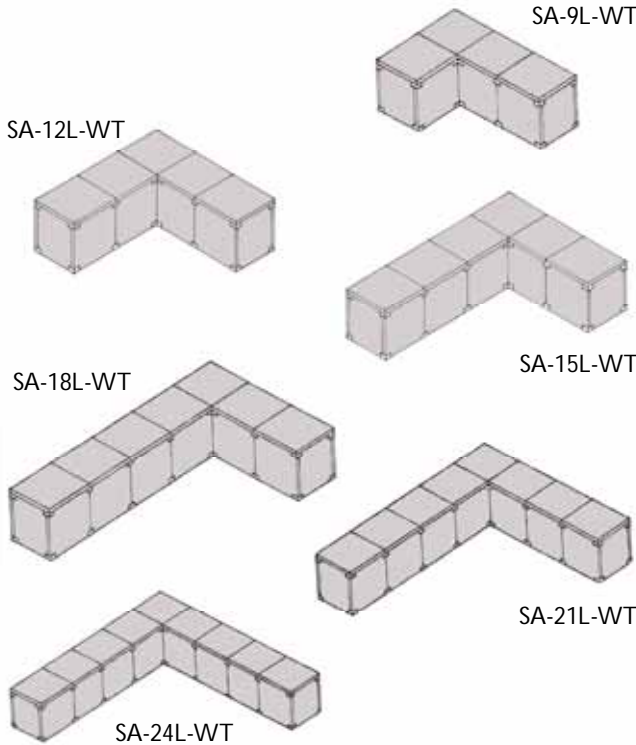


L Series islands are available in 9, 12, 15, 18, 21 and 24 foot lengths. Sizing refers to the approximate length of the inside or shorter angles of the unit.

Item No	Model	Weight
SA9L-WT	9' L Island with Top	1860
SA9L-WOT	9' L Island without Top	1360
SA12L-WT	12' L Island with Top	2180
SA12L-WOT	12' L Island without Top	1555
SA15L-WT	15' L Island with Top	2520
SA15L-WOT	15' L Island without Top	1770
SA18L-WT	18' L Island with Top	3240
SA18L-WOT	18' L Island without Top	2365
SA21L-WT	21' L Island with Top	3780
SA21L-WOT	21' L Island without Top	2780
SA24L-WT	24' L Island with Top	4320
SA24L-WOT	24' L Island without Top	3195

Refer to Page 4, Section 26 of Price List

L Series

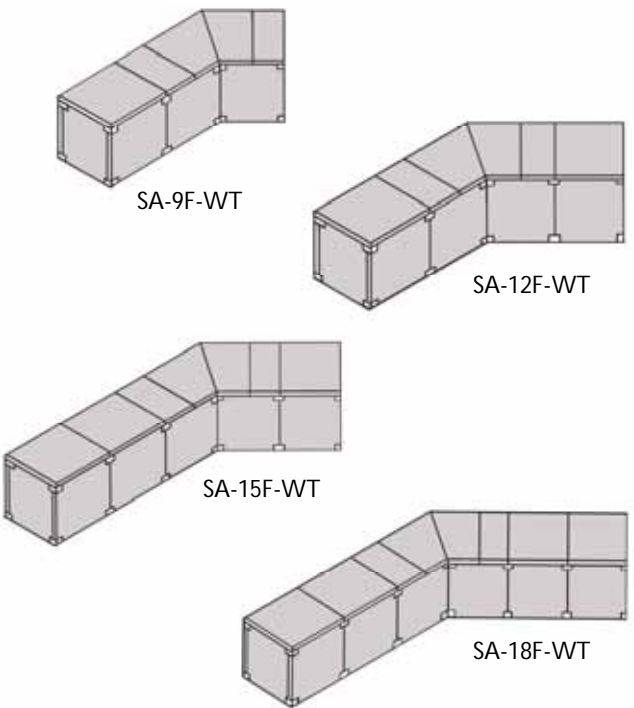


F Series



F Series or fanfold islands are offered in 9, 12, 15 and 18 foot lengths. Sizing refers to the approximate length of the inside or shorter angles of the unit.

Item No	Model	Weight
SA9F-WT	9' Fanfold Island with Top	1530
SA9F-WOT	9' Fanfold Island without Top	980
SA12F-WT	12' Fanfold Island with Top	2100
SA12F-WOT	12' Fanfold Island without Top	1425
SA15F-WT	15' Fanfold Island with Top	2550
SA15F-WOT	15' Fanfold Island without Top	1750
SA18F-WT	18' Fanfold Island with Top	3060
SA18F-WOT	18' Fanfold Island without Top	2135



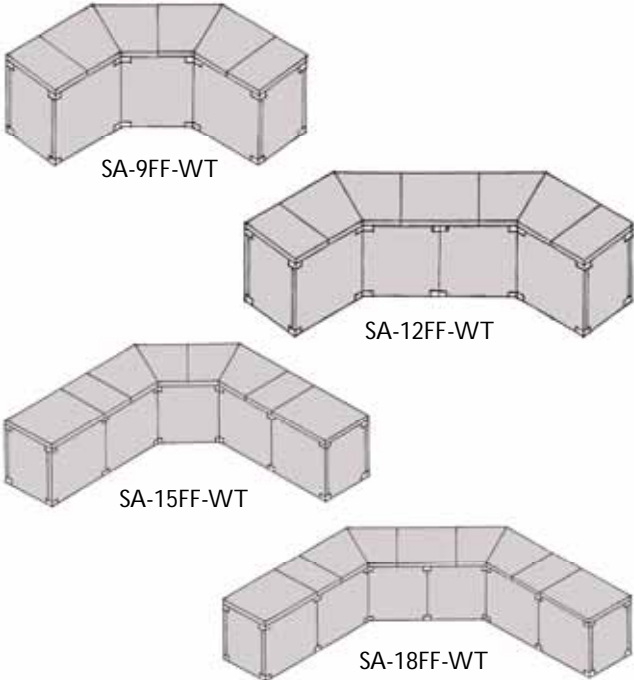
Refer to Page 4, Section 27 of Price List

FF Series



FF Series or double-fanfold islands are available in 9, 12, 15 and 18 foot lengths. Sizing refers to the approximate length of the inside or shorter angles of the unit.

Item No	Model	Weight
SA9FF-WT	9' Double Fanfold Island with Top	1530
SA9FF-WOT	9' Double Fanfold Island without Top	980
SA12FF-WT	12' Double Fanfold Island with Top	2100
SA12FF-WOT	12' Double Fanfold Island without Top	1425
SA15FF-WT	15' Double Fanfold Island with Top	2550
SA15FF-WOT	15' Double Fanfold Island without Top	1750
SA18FF-WT	18' Double Fanfold Island with Top	3060
SA18FF-WOT	18' Double Fanfold Island without Top	2135



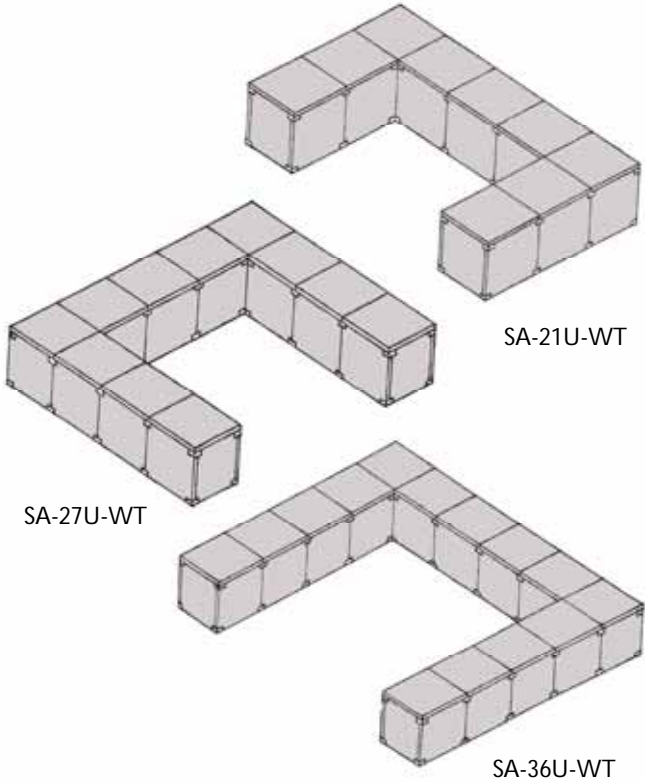
Refer to Page 4, Section 28 of Price List

U Series



U Series islands provide plenty of counter space and are offered in 21, 27 and 36 foot lengths. Sizing refers to the approximate length of the inside or shorter angles of the unit.

Item No	Model	Weight
SA21U-WT	21' U Island with Top	3780
SA21U-WOT	21' U Island without Top	2655
SA27U-WT	27' U Island with Top	4860
SA27U-WOT	27' U Island without Top	3485
SA36U-WT	36' U Island with Top	6480
SA36U-WOT	36' U Island without Top	4730



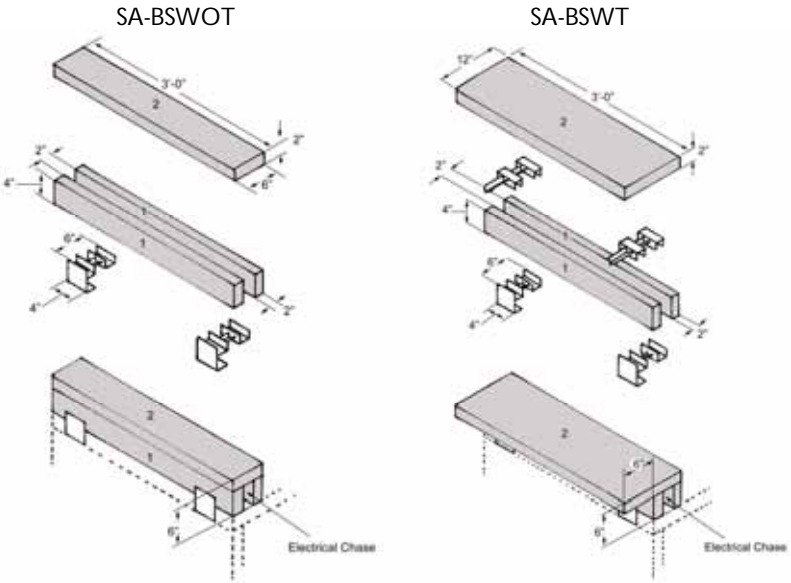
Refer to Page 5, Section 29 of Price List

Backsplash Kits

Cabinet Component Backsplash kits are offered in two configurations, standard backsplash and backsplash with bar top. Each kit is 3 foot in length, and multiple kits can be added to any Cabinet Component System island. Kits are 6 inches tall, and when assembled, have a 2 inch by 4 inch interior space that can be used as an electrical chase. Bar top backsplash kits feature a 6 inch overhang with metal bracketing for extra stability.

Item No	Model	Weight
SA-BSWT	3' Backsplash Kit with Bar Top	75
SA-BSWOT	3' Backsplash Kit without Bar Top	50

Refer to Page 5, Section 30 of Price List

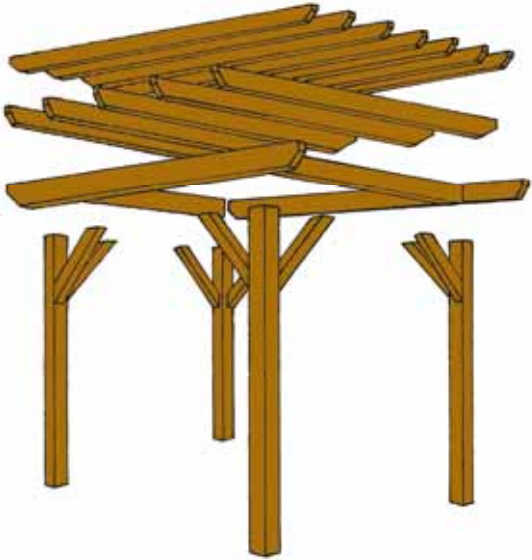


Pergolas

Stone Age Pergolas kits are made from solid cedar and are available in 12' x 12', 12' x 16' or 16' x 16' sizes.. Kits are pre-drilled and include all fastening hardware for fast, easy assembly. Heavy 6" x 6" posts provide strength and security, and their 10' length allows for deep in-ground placement, or may be trimmed to desired height for surface mounting.

Item No	Model	Weight
SA-A1-1212RM	12' x 12' Cedar Pergola Kit	648
SA-A1-1216RM	12' x 16' Cedar Pergola Kit	864
SA-A1-1616RM	16' x 16' Cedar Pergola Kit	1152

Refer to Page 5, Section 31 of Price List



Stone Age Smoker

The Stone Age Smoker, with its uniquely adjustable charcoal tray, creates the ultimate grilling and smoking experience for the outdoor chef. Heavy gauge carbon steel construction, with superior hardware components provide years of cooking enjoyment. The large, 748 square inch grilling surface and the ability to place the charcoal close to the food for searing, or farther away for smoking and other low-heat cooking techniques give you incredible cooking flexibility in a single grill. Stone Age also offers an optional gas-fired version for those preferring the convenience of gas.

Item No	Model	Weight
SA-SM-CHAR	36" Black Steel Built-In Smoker/Grill, Charcoal	220
SA-SM-LGAS	36" Black Steel Built-In Smoker/Grill, 150,000 BTU LP Gas Burner	235
SA-SM-DOOR	Black Steel Access Doors	30
SA-SM-NGKIT	Natural Gas Conversion Kit	2



Refer to Page 5, Section 32 of Price List



SA-SM-CHAR



SA-SM-DOOR



Stone Age Manufacturing, Inc. proudly offers an industry-leading 25 year limited warranty on all UL-127 fireplaces.

LIMITED WARRANTY

The products of Stone Age Manufacturing, Inc. ("Stone Age") have been carefully manufactured and the components assembled to give the customer a quality product. Stone Age warrants to the original purchaser the materials that it provides to the customer against defects in manufacture for a period of twenty-five (25) years from the date of purchase on UL-127 listed fireplaces, for a period of five (5) years from the date of purchase on all unlisted fireplaces, fire pits, and other masonry components. Other accessory items or components offered, but not produced by Stone Age Manufacturing, Inc., shall be covered by their manufacturer's warranties. This Limited Warranty covers only actual manufacturing defects in the Stone Age product and does not cover defects or faulty workmanship in the installation of the product or the masonry or other structure in which it is installed. Also this warranty does not cover items that have been damaged due to over-heating, modification, improper storage or maintenance. Stone Age shall repair or replace, at its option, any defective Stone Age product component upon receipt of written notice addressed to Stone Age. This Limited Warranty covers only replacement of any defective components within the product itself occurring during the warranty period and does not cover the cost of installation or removal from a fixed location. NO OTHER WARRANTIES, EXPRESS OR IMPLIED, ARE MADE, INCLUDING IMPLIED WARRANTIES OF MERCHANTABILITY AND FITNESS FOR PARTICULAR PURPOSES WHICH ARE SPECIFICALLY DISCLAIMED. Stone Age is not liable for damages or injury to persons or property or other incidental or consequential damages.

©2010, Stone Age Manufacturing, Inc., All Rights Reserved.

The entire contents of this document are exclusively for the use of authorized Stone Age dealers and distributors, and may not be reprinted or reproduced in any way without the express written permission of Stone Age Manufacturing, Inc.

Stone Age Manufacturing™

www.stoneagemanufacturing.com 877-371-8861



Tested & Listed by



Beaverton Oregon USA

OMNI-Test Laboratories, Inc.

Stone Age Manufacturing, Inc.

11107 E. 126th St. N.

Collinsville, OK 74021